



California Faucets®

# Decorative Grab Bar

DOMED END WITH HEX BASE

## Features

- All brass construction
- 1-1/4" diameter bar
- Concealed mounting
- Mounting hardware included

- 9412D-47
- 9418D-47
- 9424D-47
- 9430D-47
- 9436D-47
- 9442D-47
- 9448D-47

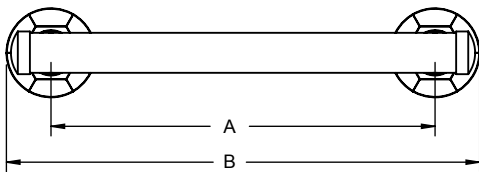


## Codes/Standards Applicable

Product meets or exceeds the following:

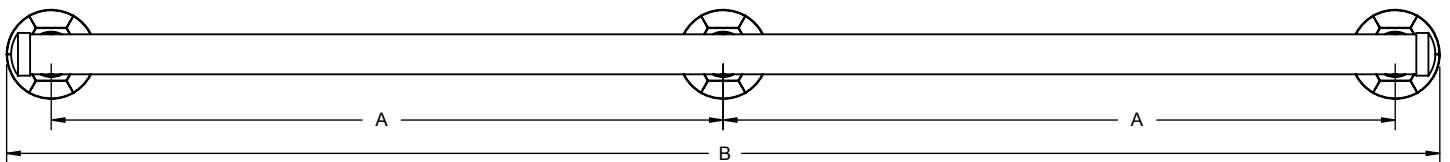
- ADA compliant

9418D-47 SHOWN

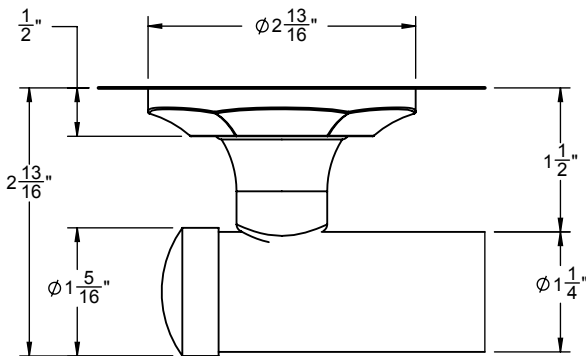


FRONT VIEW  
(2 POST)

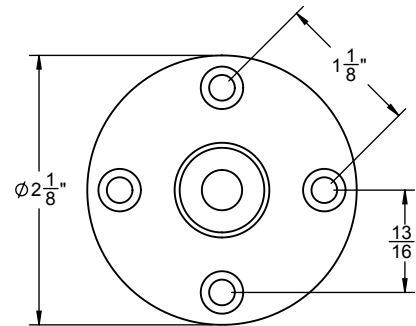
	DECORATIVE GRAB BAR	DIM. A	DIM. B
2 POST	9412D-47	12"	14 $\frac{13}{16}$ "
	9418D-47	18"	20 $\frac{13}{16}$ "
	9424D-47	24"	26 $\frac{13}{16}$ "
	9430D-47	30"	32 $\frac{13}{16}$ "
	9436D-47	36"	38 $\frac{13}{16}$ "
3 POST	9442D-47	21"	44 $\frac{13}{16}$ "
	9448D-47	24"	50 $\frac{13}{16}$ "



FRONT VIEW  
(3 POST)



TOP VIEW



WALL MOUNT FLANGE

- (8X) - 2 POST GRAB BAR  
 #8 X 1-3/4" PHILLIPS HEAD SCREW
- (12X) - 3 POST GRAB BAR  
 #8 X 1-3/4" PHILLIPS HEAD SCREW

SPECIFICATIONS SUBJECT TO CHANGE WITHOUT NOTICE

ALL DIMENSIONS SHOWN TO NEAREST 1/16"